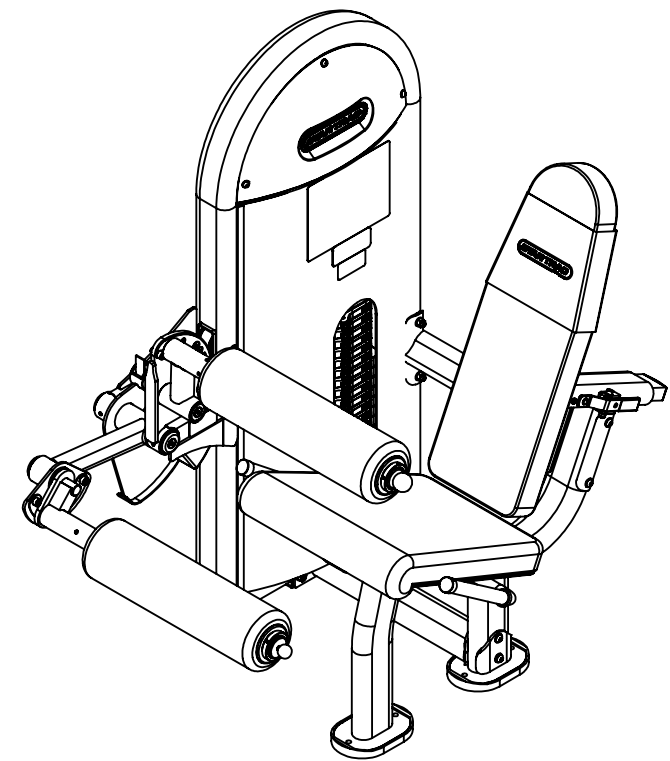
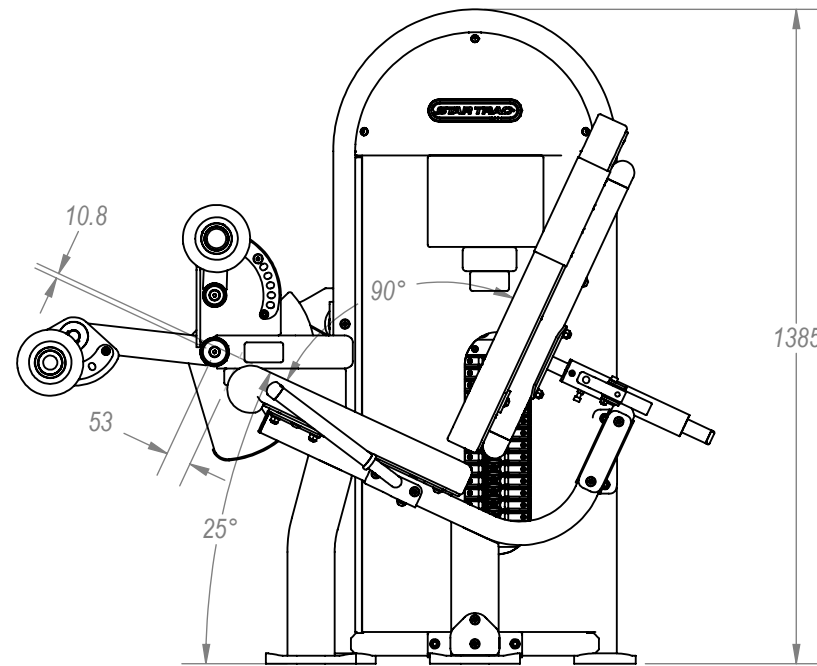
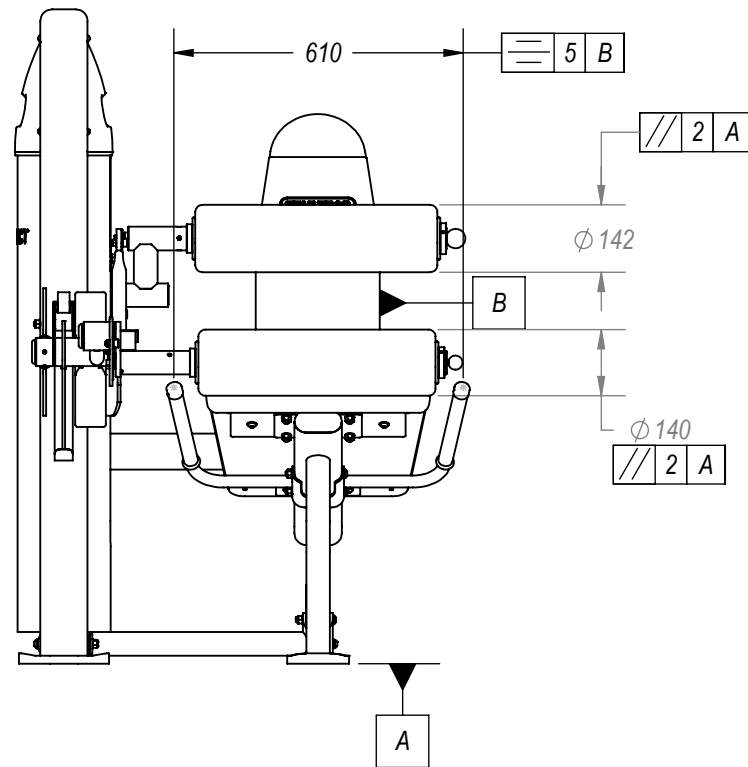
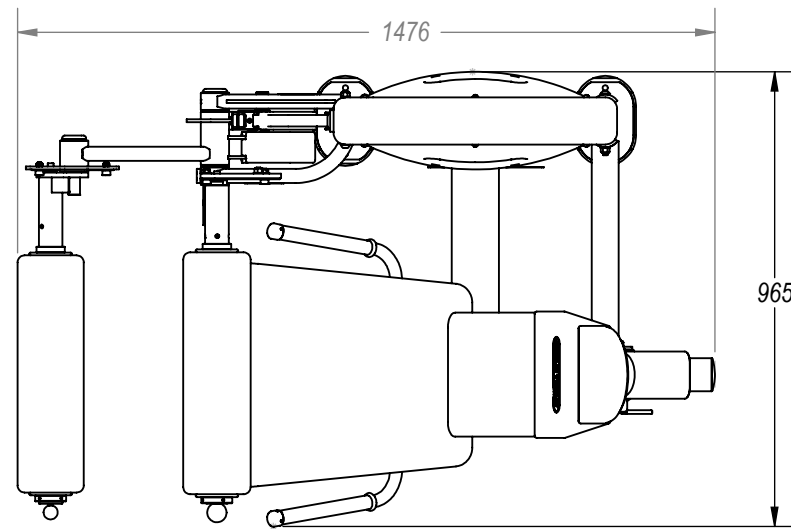


REVISION HISTORY				
REV	DATE	DESCRIPTION	ECO	BY
A	06-25-08	PRODUCTION RELEASE	11956	AK
B	06-23-10	UPDATE 3D MODEL, BOM, ADD SHEET 1 & PN	13343	TZ



NOTICE OF PROPRIETARY INFORMATION
 THIS DOCUMENT SHALL NOT BE REPRODUCED NOR SHALL THE INFORMATION CONTAINED HEREIN BE USED BY OR DISCLOSED TO OTHER EXCEPT AS EXPRESSLY AUTHORIZED BY UNISEN INC. D.B.A. STAR TRAC.

DOCUMENT STATUS:

CLASS OF WORK	UNLESS OTHERWISE SPECIFIED DIMS ARE IN mm. TOLERANCES FOR MEASURE OF LENGTH ARE:							ANGLES = $\pm 2^\circ$
	0.5 to 3	> 3 to 6	> 6 to 30	> 30 to 120	> 120 to 400	> 400 to 1000	> 1000 to 2000	
FINE	± 0.05	± 0.05	± 0.1	± 0.15	± 0.2	± 0.3	± 0.5	----
MEDIUM X	± 0.1	± 0.1	± 0.2	± 0.3	± 0.5	± 0.8	± 1.2	± 2
COARSE	± 0.2	± 0.3	± 0.5	± 0.8	± 1.2	± 2	± 3	± 4
VERY COARSE	----	± 0.5	± 1	± 1.5	± 2.5	± 4	± 6	± 8

MATERIAL
SEE BOM

FINISH
 FRAME COLOR: STAR TRAC SILVER (HP FULLER) UPHOLSTERY
 COLOR: STAR TRAC GREY (SLATE)

VENDOR: **IMPULSE**

P/N: **IL-S1011**

THIRD ANGLE PROJECTION



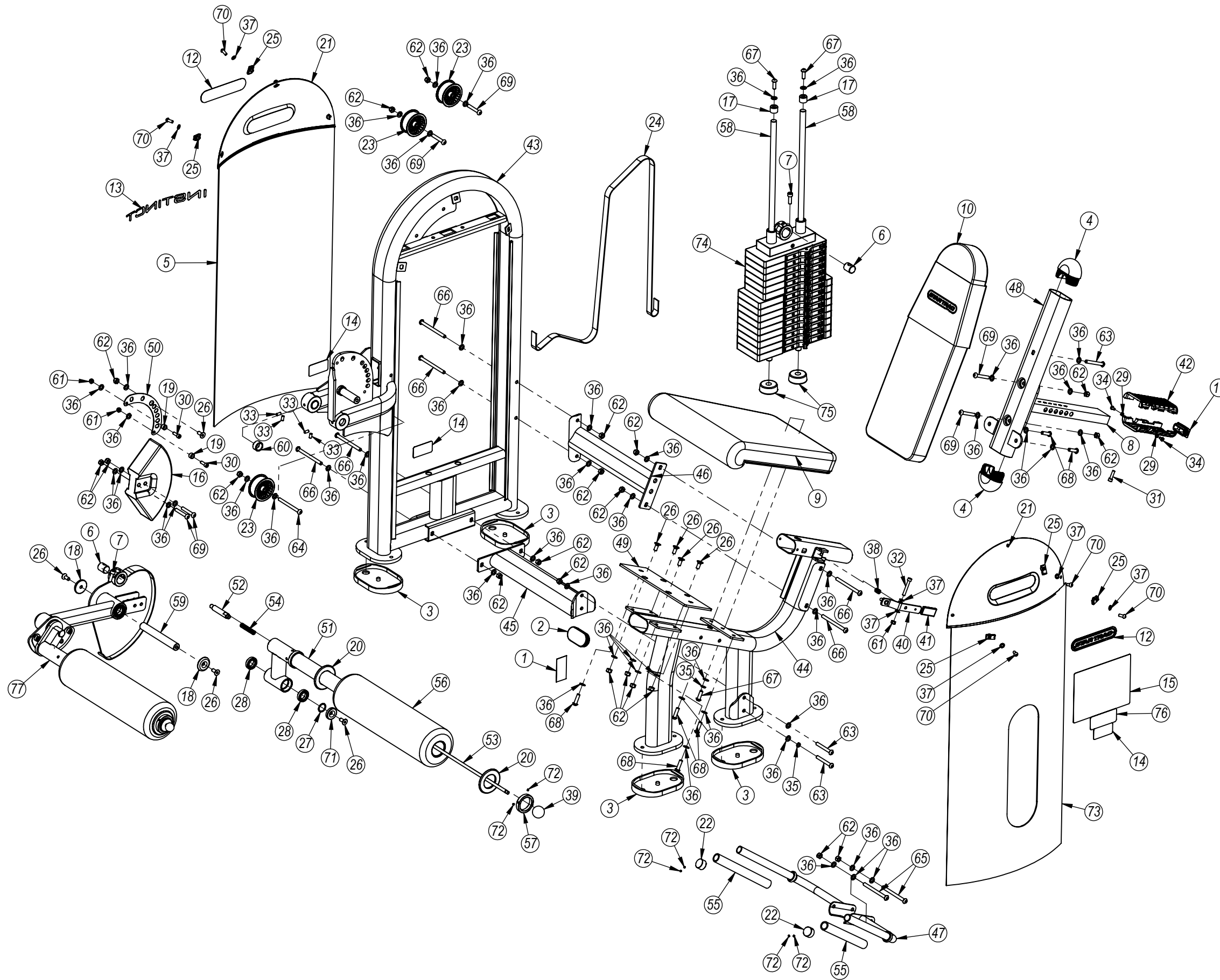
DRAWN	INITIAL	DATE
CHECKED	TZ	10/14/09
APPROVED		
	U.O.M.	MM

UNISEN, INC. DBA



14410 Myford Road
Irvine CA 92606

STARTRAC PART NO	REV
9IL-S1011-13BSS	B
TITLE IL,SSS,LEG CURL,SEATED,LNL	
SCALE: 1:16	SHEET 1 OF 2 SHEET SIZE: B



ITEM NO.	PART NUMBER	DESCRIPTION	QTY.
1	050-2125-02	LABEL, SERIAL NO. INSTINCT	1
2	730-0199	CAP, FLAT, ELLIPSE TUBE, 100X50	1
3	730-0216	PAD, FEET, BASE, IN-B7503	4
4	730-0223	CAP, LARGE, FRAME	2
5	730-0233	SHROUD, REAR, WGT STK, LP	1
6	730-0236	SHAFT, COMPRESS BELT, DIA 27, LEG 33	2
7	730-0237	SCREW, M10X1.5, 30MM, SHCS, HE, SS	2
8	730-0244	WELDMENT, SEAT POST	1
9	730-0245	PAD, SEAT, IN-S1011	1
10	730-0246	PAD, BACK REST, IN-S2100	1
11	730-0247	CAP, ROUND, SQUARE TUBE, 70X30	1
12	730-0383	STICKER, STAR TRAC, DECO, 196X45MM	2
13	730-0384	LOGO, INSTINCT	1
14	730-0385	STICKER, CAUTION, PINCH POINT	3
15	730-0400	PLACARD, INSTRUCTION, IN-S1011	1
16	730-0548	BLOCK, COUNTERBALANCE, IN-S5110	1
17	730-0565	CAP, RUBBER, ROD GUIDE WT STK	2
18	730-0566	CAP, 50MM OD	2
19	730-0679	STOPPER, OD 17MM, HGH 10.5MM	2
20	730-0681	PLUG, KNEE PAD, 90X51	2
21	730-0702	SHROUD, TOP, LP	2
22	730-0704	CAP, OUTSIDE, GRIP, 25MM AL	2
23	730-0721	PULLEY ASSY, DIA 76	3
24	730-0778	BELT, 15.5FT LONG	1
25	730-0846	SPEED NUT, U-STYLE CLIP-ON NUT, M8	6
26	730-0870	SCREW, M10X1.5, 25MM, FHMS, HE, SS	8
27	730-0877	RETAINING RING, 25MM ID, 32MM OD	1
28	730-0881	BEARING, ID 25MM, OD 42MM, THK 9MM	2
29	730-0885	NUT, M6, JAM, HEX, SS	2
30	730-0890	SCREW, M8X1.25, 25MM, SHCS, HE, SS	2
31	730-0891	SCREW, M8X1.25, 30MM, SHCS, HE, SS	1
32	730-0892	SCREW, M8X1.25, 55MM, SHCS, HE, SS	1
33	730-0896	SCREW, M8X1.25, 16MM, SET, EPS, HE, SS	4
34	730-0899	SCREW, M6X1.0, 12MM, PHMS, SS	2
35	730-0907	WASHER, M10, SPLIT, LOCK	2
36	730-0908	WASHER, PLAIN, M10, SS	50
37	730-0910	WASHER, PLAIN, M8, SS	8
38	730-0911	SPRING, COMPRESSION, ADJ, HDL	1
39	730-0924	ASSY, BAR BALL, END CAP, Ø 30	1
40	730-0930	WELD, HANDLE, EXTENSION, ADJ	1
41	730-0935	GRIP, SQUARE, ADJ, HANDLE	1
42	730-0936	ASSY, TUBE, INSERT SLEEVE	2
43	730-1040	WEIGHT STACK, FRAME, IN-S1011	1
44	730-1041	ASSY, MAIN FRAME	1
45	730-1042	CROSSBEAM, LOWER, FRAME	1
46	730-1043	CROSSBEAM, UPPER, FRAME	1
47	730-1044	ASSY, SEAT HANDLE, FRAME	1
48	730-1045	UPHOLSTERY, BACK, PAD, BRACKET	1
49	730-1046	PLATE, SEAT, PAD, SUPPORT	1
50	730-1047	STOPPER, ROM, PLATE	1
51	730-1050	ASSY, PIVOT, KNEE, BAR	1
52	730-1051	ADJUSTMENT, KNOB, LOCK, PIN	1
53	730-1052	ELONGATE, ADJUSTMENT, KNOB, SHAFT	1
54	730-1053	ADJUSTMENT, KNOB, SPRING	1
55	730-1054	FRAME, SEAT, HANDLE, PVC, SLEEVE, GRIP	2
56	730-1055	PAD, KNEE, IN-S1011	1
57	730-1057	LOCKING RING, 50MM ID, 66MM OD	1
58	730-1078	GUIDE, ROPE, Ø19MM X 935MM	2
59	730-1084	SHAFT, DIA 25MM X 192MM	1
60	730-1087	SPACER, DIA 32MM, HEIGHT 16MM	1
61	730-1103	NUT, M18X1.25, NYLOC, SS	3
62	730-1104	NUT, M10X1.5, NYLOC, SS	21
63	730-1109	SCREW, M10X1.5, 80MM, BHC, HE, SS	3
64	730-1110	SCREW, M10X1.5, 115MM, BHC, HE, SS	1
65	730-1111	SCREW, M10X1.5, 125MM, BHC, HE, SS	2
66	730-1112	SCREW, M10X1.5, 130MM, BHC, HE, SS	6
67	730-1118	SCREW, M10X1.5, 30MM, BHC, HE, SS	3
68	730-1119	SCREW, M10X1.5, 35MM, BHC, HE, SS	6
69	730-1122	SCREW, M10X1.5, 63MM, BHC, HE, SS	6
70	730-1138	SCREW, M8X1.25, 20MM, BHC, HE, SS	6
71	730-1154	CAP, RECESS, FHM, SCREW, 42MM OD	1
72	730-1155	SCREW, 10-32X3.2, SET	6
73	730-1336	SHROUD, LNL, SS100	1
74	730-1390	WSA-LNL, 180LB, 15H	1
75	730-1448	STOP, BUMPER, WEIGHT PLATE, 25.4MM	2
76	730-1491	LABEL, INSTRUCTIONS, LOCK N LOAD	1
77	730-1538	KIT, REPLACEMENT, ADJ. LEG, LEG CURL	1

UNISEN, INC. DBA
STARTRAC
 14410 Myford Road
 Irvine CA 92606

STARTRAC PART NO. **9IL-S1011-13BSS** REV **B**
 TITLE **IL, SSS, LEG CURL, SEATED, LNL**
 SCALE: 1:14 | SHEET 2 OF 2 | SHEET SIZE: B